



## Marine Aluminum Window



**ZHIYOU MARINE**

Marine & Offshore Equipment Supplier

Shanghai Zhiyou Marine & Offshore Equipment Co., Ltd

Web: [www.marineoutfittings.com](http://www.marineoutfittings.com)

Email: [info@marineoutfittings.com](mailto:info@marineoutfittings.com)

Tel: +86 21 5645 2367

## Brief

Zhiyou Marine aluminum window frames are made of anodized aluminum that can work well under seawater corrosive circumstances. Additionally, the window frames can be painted if the proper procedures are followed. The marine windows are bolted type, it means you can replace the windows easily. Sea water resistant rubber sealing can mark sure weathertight. So this kind of marine windows are widely installed in outside of marine ships' bulkhead as marine wheelhouse windows.

## Specification

Customized design/production is available.

Ready for bolting directly to bulkhead or wall.

Sizes are all customized, and ready to fit.

Available in natural finish, primed or coated in accordance with specific requirements.

Toughness safety glass.

Material of accessories are stainless steel.

The shapes of window frames are rectangle, trapezoid etc.

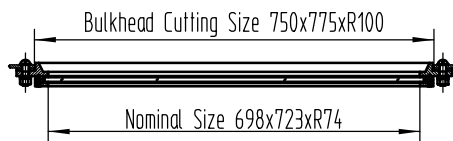
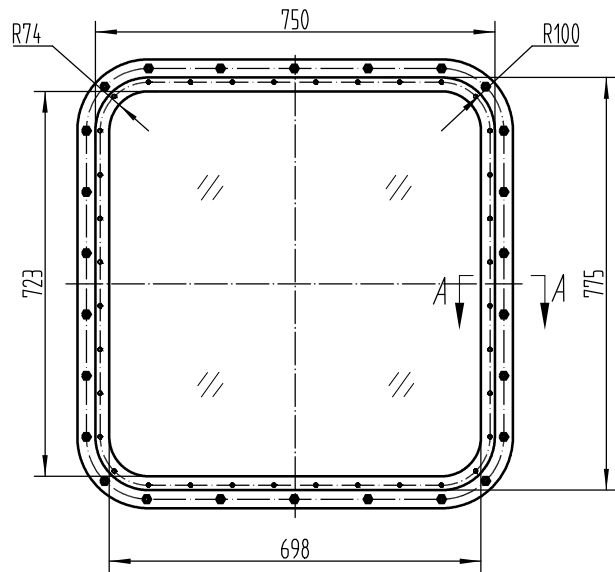
Other requirements.

## Dimensions

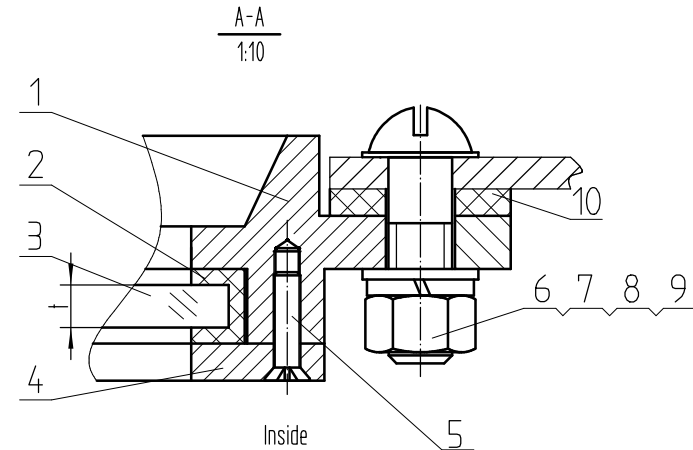
Nominal Size	Bulkhead Cutting Size	External Size
300×300	352×352	420×420
500×500	552×552	620×620
700×700	752×752	820×820
800×800	852×852	920×920
1000×1000	1052×1052	1120×1120
1200×1000	1252×1052	1320×1120
1500×1000	1552×1052	1620×1120
2000×1000	2052×1052	2120×1120

\*Note: Contained within the sheet above are dimensions for reference only, customized solution or any other requirements please [contact us](#).

The drawings are for reference only, not used as production drawings. 此圖紙僅供參考，不作為生產圖紙。



10	GASKET	1	EPDM	
9	SPRING WASHERS	22	SUS304	
8	WASHERS	22	SUS304	
7	NUTS	44	SUS304	M12
6	BOLTS	22	SUS304	M12X45
5	SCREWS	28	SUS304	M6X16
4	GLASS RETAINING FRAME	1	ALUMINUM ALLOY	LF5
3	GLASS	1	TOUGHENED SAFETY GLASS	
2	SEALING	1	EPDM	
1	WINDOW FRAME	1	ALUMINUM ALLOY	LF5
NO.	NAME	Qty	MATERIAL	REMARK



Technical requirement:

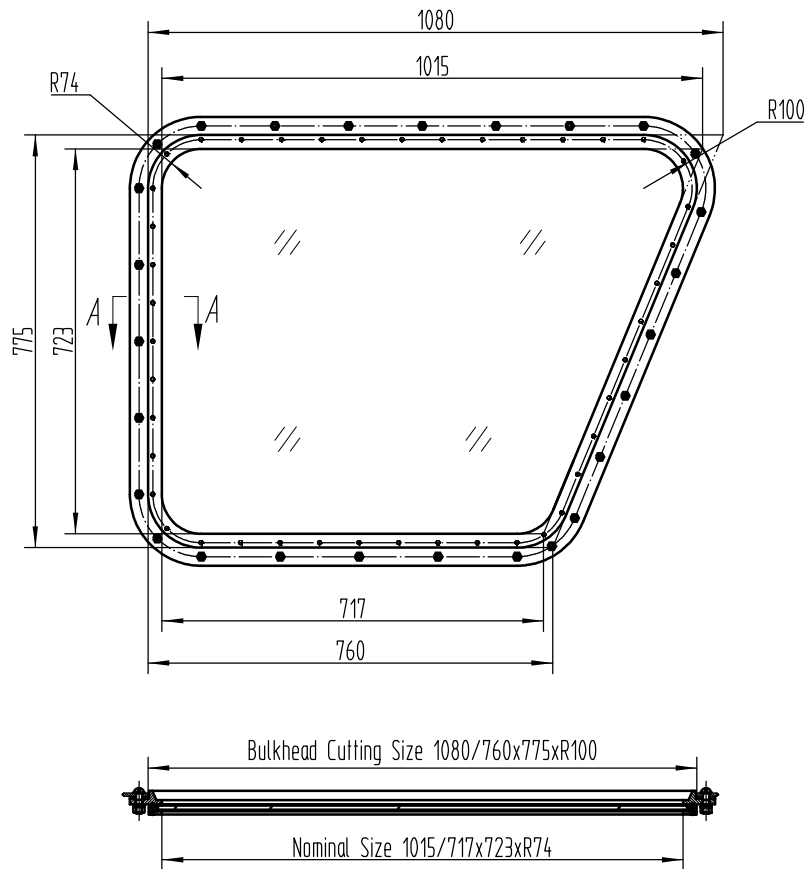
- 1, Flushing water test requirement: Nozzle diameter:  $\phi 12.5$ , distance between nozzle and wall: 15mm, water pressure at the nozzle: 0.25MPa.
- 2, According to ISO3903:1993 Shipbuilding and marine structures - Ships' ordinary rectangular windows.
- 3, Steel window frame sand blast to Sa2.5 then two layers of anti-rust coating. Aluminium window frame to shot blasting oxidizing.

2	BN-698x723xR74	750x775xR100	2 Nos	8	
1	BN-698x723xR74	750x775xR100	4 Nos	10	
No.	Specification	Bulkhead Cutting Size	Qty.	Glass thickness (t)	Remark

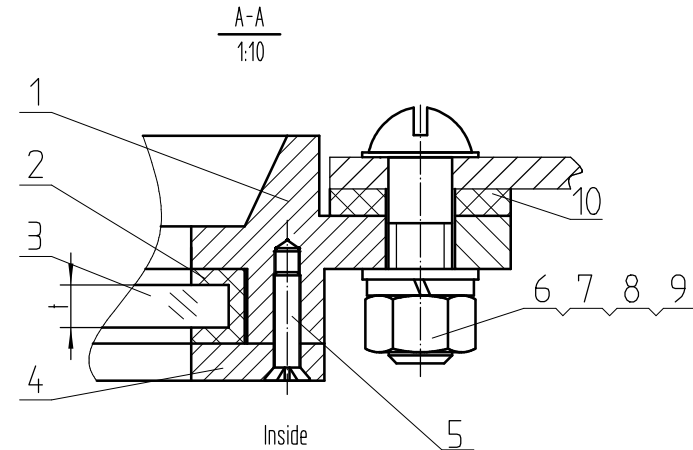
1		
Rev	Description	Date
Note	All dimensions are in millimeters unless otherwise specified.	
Shanghai Zhiyou Marine & Offshore Equipment Co., Ltd Room 405, Fudan Software Park, 188 Changyi Road, Shanghai China. Tel: +86-21-5645-2367 Email: sales@zhiyoumarine.com info@marineoutfittings.com Web: www.zhiyoumarine.com www.marineoutfittings.com		
Dwg Name	Marine Aluminum Window	
	Scale	1:10 @A3
	Sheet	1/3
Dwg No.	ZY-180117-Sir	

The drawings are for reference only, not used as production drawings. 此圖紙僅供參考，不作為生產圖紙。

The drawings are for reference only, not used as production drawings. 此圖紙僅供參考，不作為生產圖紙。




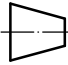
10	GASKET	1	EPDM	
9	SPRING WASHERS	22	SUS304	
8	WASHERS	22	SUS304	
7	NUTS	44	SUS304	M12
6	BOLTS	22	SUS304	M12X45
5	SCREWS	28	SUS304	M6X16
4	GLASS RETAINING FRAME	1	ALUMINUM ALLOY	LF5
3	GLASS	1	TOUGHENED SAFETY GLASS	
2	SEALING	1	EPDM	
1	WINDOW FRAME	1	ALUMINUM ALLOY	LF5
NO.	NAME	Qty	MATERIAL	REMARK



Technical requirement:

- 1, Flushing water test requirement: Nozzle diameter:  $\phi 12.5$ , distance between nozzle and wall: 15m, water pressure at the nozzle: 0.25MPa.
- 2, According to ISO3903:1993 Shipbuilding and marine structures - Ships' ordinary rectangular windows.
- 3, Steel window frame sand blast to Sa2.5 then two layers of anti-rust coating. Aluminium window frame to shot blasting oxidizing.

3	BN-1015/717x723xR74	1080/760x775xR100	2 Nos	8	
No.	Specification	Bulkhead Cutting Size	Qty.	Glass thickness (t)	Remark

1		
Rev	Description	Date
Note	All dimensions are in millimeters unless otherwise specified.	
<p>Shanghai Zhiyou Marine &amp; Offshore Equipment Co., Ltd  Room 405, Fudan Software Park, 188 Changyi Road, Shanghai China.  Tel: +86-21-5645-2367  Email: sales@zhiyoumarine.com info@marineoutfittings.com  Web: www.zhiyoumarine.com www.marineoutfittings.com</p> <p><b>ZHIYOU MARINE</b></p>		
Dwg Name	Marine Aluminum Window	
 	Scale	1:10 @A3
	Sheet	2/3
Dwg No.	ZY-180117-Sir	

The drawings are for reference only, not used as production drawings. 此圖紙僅供參考，不作為生產圖紙。